



Installation

Model specific instructions

For:

- **BMW R1200GS (Water cooled)**
- **BMW R1200RT (Water cooled)**
- **BMW R1200R (Water cooled)**

These instructions are a model specific add-on to the general BoosterPlug installation instructions.

The general BoosterPlug installation instructions can be found in the "Downloads" section on the BoosterPlug.com website:

<http://www.boosterplug.com/shop/cms-downloads.html>

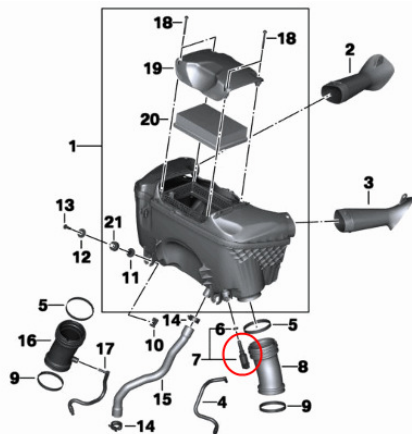
Installation Tips

- Remove the righthand side gas tank shielding (Next to your right knee when you sit on the bike)
- Locate the AIT sensor in the air filter box
- The pictures below should help you locate the sensor
- Install the BoosterPlug module as per the general installation papers
- You have several choices for the sensor location, but our favorite place is near the steering head or under the head light. Next to the airbox snorkel air intake hole is another very good spot.

Pictures

For:

- **BMW R1200GS (Water cooled models)**
- **BMW R1200RT (Water cooled models)**
- **BMW R1200R (Water cooled models)**



For:

BMW other R1200 models — download separate instruction from www.boosterplug.com.